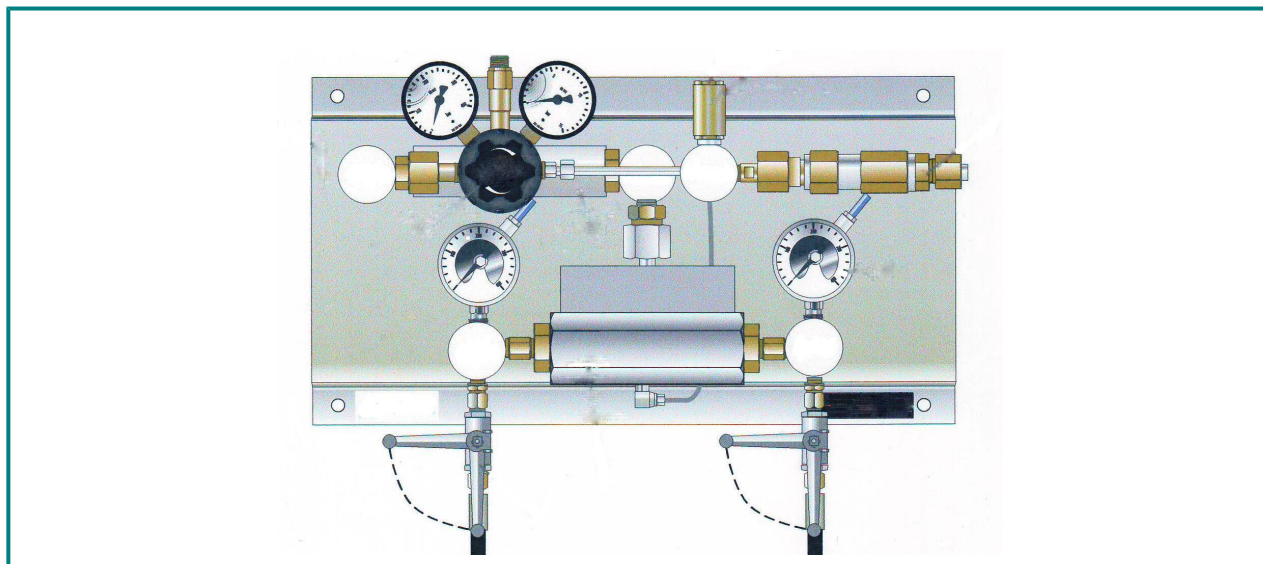


# Cylinder station HP 276 Acetylen 2.6

2x1 cylinder with automatic changeover



## Description:

The HP 274 is a single stage supply panel for Acetylene 2.6 for 2x1 cylinder with automatic changeover.

The cylinder station serves the secure supply of Acetylene from 1 or 2 cylinders and is available for 2x1 cylinder as standard.

The station is mounted on a console and has a pressure regulator with in and outlet gauges as standard. Also a safety valve, flashback arrestor und quick-connectors.

Can be retrofitted with contact gauges.

In addition, as accessories, a gas failure detector and an emergency shut-off system for upgrading the safety of the system are also available (see. segment 7).

## Application area:

Especially for gases with high requirements on purity to 6.0. Secure and leak-proof were an uninterrupted supply over night and at week-ends must be guaranteed.

Utilisation in Labs and AAS-supply.

## Technical details:

Material:	brass
Purity:	≤ 2.6
Max. Inlet pressure:	25 bar
Outlet pressure range:	0,1 – 1,5 bar
Operating temp.:	-20°C to +70°C
Dimensions:	480x260x300
Weight:	approx. 20kg (1x1)
Flow:	approx. 0,5m <sup>3</sup> /h (momentary 1m <sup>3</sup> /h)
Connections:	
Inlet:	to DIN 477-3 (others on request)
Outlet:	NPT ¼ f

## Type approval:

for hoses	BAM 0283
for ball valve DN 6	BAM 0394
for quick shut-off device. HDS17	BAM 1481
for pressure regulator	BAM cert.
for flash back arrestor	BAM 0485

## Hornung Quality standard

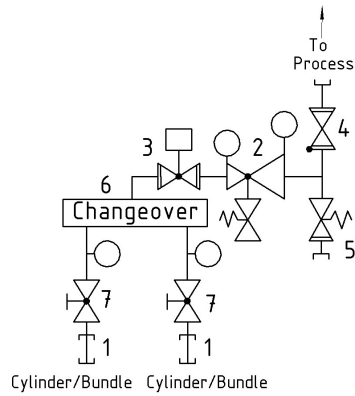
The company Hornung is certified to **DIN EN ISO 9001 and ISO 14001:2009**. All single parts are manufactured, assembled and tested by in-house production. The finished parts are therefore under all criteria of German quality control with 100% final inspection.

Hornung GmbH  
Rathenaustraße 55, 63263 Neu-Isenburg

Phone: +49 6102 7883-70  
Fax: +49 6102 7883-40

www.hornung.org  
info@hornung.org

### Flow diagram:



### Accessories:

#### See total catalogue segment

7. Gauges, compression fittings, cylinder holders and accessories. Gas cylinder cabinets und safety equipment.

#### Scope of supply:

- High pressure hose 90°, approx. 800mm long (1)
- Pressure regulator with in and outlet gauges (2)
- quick shut-off device (3)
- flash back arrestor (4)
- Safety valve (5)
- Changeover (6)
- Shut off ball valve (7)

Without compression fittings at outlet.

### Ordering information:

#### Number of cylinders:

- 1 = 2x1 cylinder  
2 = 2x2 cylinders

#### Gauges:

- 1 = standard gauge  
2 = contact gauge Ex

#### Order example:

HP276-	1	2	Acetylen
Typ	No. Cyl.	gauge	Gas type